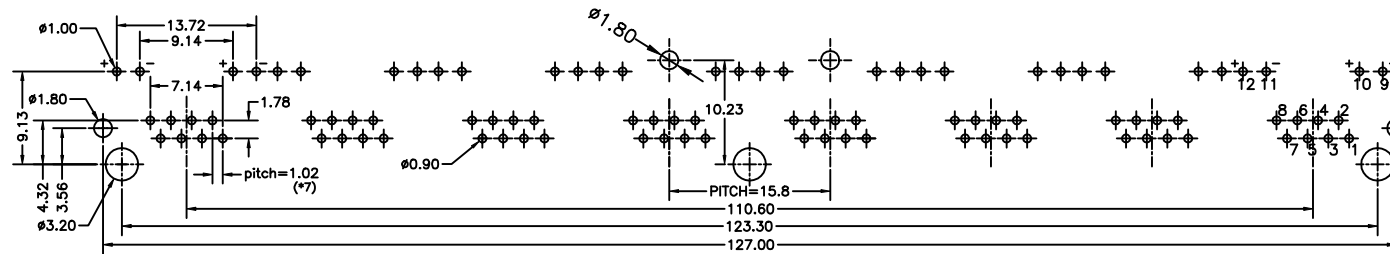
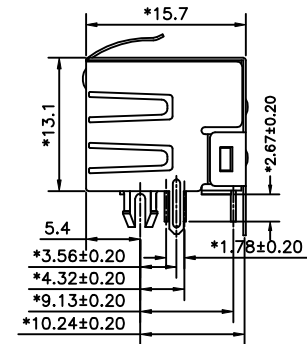
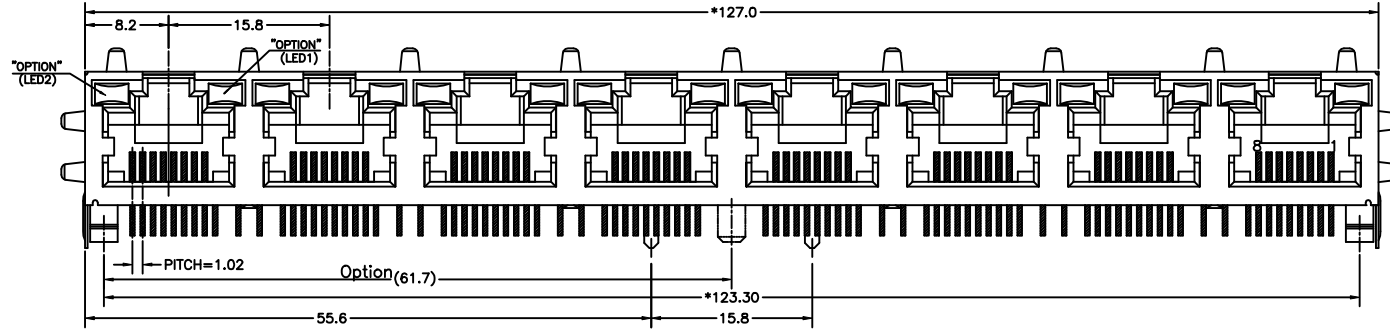


REVISION RECORD				
REV	ECO	DESCRIPTION	DRFT	CHKD
Δ		drawing modify	YANGLAN 08/23/05	



PC Board Layout(t=1.60)
Component Side Shown

GREEN GREEN
YELLOW YELLOW
FOR P/N:E5J88-4XX0XX-L



NOTES:

ELECTRICAL:

- VOLTAGE RATING : 125 VAC RMS.
- CURRENT RATING : 1.5 AMP.
- CONTACT RESISTANCE : 30 MILLIOHMS MAX.
- INSULATION RESISTANCE: 1000 MEGOHMS MIN @ 500 VDC.
- DIELECTRIC STRENGTH : 1000 VAC RMS 60Hz, 1MIN.
- LED RATINGS: FORWARD VOLTAGE: 2.2 VOLTS TYPICAL.
REVERSE VOLTAGE: 5 VOLTS MAXIMUM.
- OPERATING: 750 CYCLES MIN.

MECHANICAL:

- HOUSING MATERIAL : PBT+30%G.F UL94V-0. COLOR-BLACK.
- INSERT MATERIAL : PBT+30%GF UL94V-0. COLOR-BLACK.
- BACK PLATE MATERIAL : PBT+30%GF. COLOR-BLACK.
- LED SIZE : 3.2*2.0*7.0*P=2.54mm.
- SHIELD MATERIAL : COPPER ALLOY 0.25mm THICKNESS PLATING NI.
- CONTACT MATERIAL : PHOSPHOR BRONZE 0.35mm THICKNESS OR 0.46mm.
- PLATING : GOLD PLATING OVER NICKEL.
- PCB RETENTION PRE-SOLDER : 1 LB MIN.
- PCB RETENTION POST-SOLDER: 10 LBS MIN.

ENVIRONMENTAL:

- STORAGE : -40°C TO +85°C.
 - OPERATION: 0°C TO 70°C.
 - WAVE SOLDERING TEMPERATURE: 230~250°C(5~10 SECONDS)
- MATES WITH MODULAR PLUG CONFORMING TO
FCC PART 68, SUBPART F.
CUL FILE No:E163191

ROHS PART NUMBER: E 5J 8 8 - X X X X X-L

- 1-LED1:GREEN ,LED2:YELLOW .
- 2-LED1:GREEN ,LED2: GREEN .
- 3-LED1:YELLOW ,LED2: GREEN .
- 4-LED1:G+Y ,LED2:G+Y .
- 5-LED1:RED ,LED2: GREEN .
- 7-LED1:YELLOW ,LED2:YELLOW .
- E-LED1:GREEN ,LED2: RED .

- 1-NO TAB
- 2-TOP TABS. 3-SIDE TABS.
- 4-TOP TABS & SIDE TABS.

PLATING: 1-3u" 2-6u"
3-15u" 4-30u" 5-50u"

- 1- PLATE Tin SHIELD,STAMP PIN,LED LONG 7.00
- 2- PLATE Ni SHIELD,STAMP PIN,LED LONG 7.00
- 3- PLATE Tin SHIELD,ROUND PIN,LED LONG 7.00
- 4- PLATE Ni SHIELD,ROUND PIN,LED LONG 7.00
- 0-W/O LOGO

9-8 PORTS W/O MIDDLE POLE
6-8 PORTS W/ MIDDLE POLE

MM (INCH)		DFTO PETERS	DATE 03/25/05
TOLERANCES EXCEPT AS NOTED		CHKD JAKE	DATE 2005/08/24
		MFO	DATE
		APPV LUSHENG	DATE 2005/08/24
MATERIAL :			
ANGLES ±		QT'Y :	
THIRD ANGLE PROJECTION		FINISH :	
		SCALE : 2:1	

FULL RISE ELECTRONIC CO., LTD

TITLE RJ45 SIDE ENTRY
LEDGANG 8PORTS

DRAWING NO. GE5J3019-LC
/PART NO. SEE NOTE

SIZE A3
REV 1

DO NOT SCALE DRAWING SHEET X OF Y